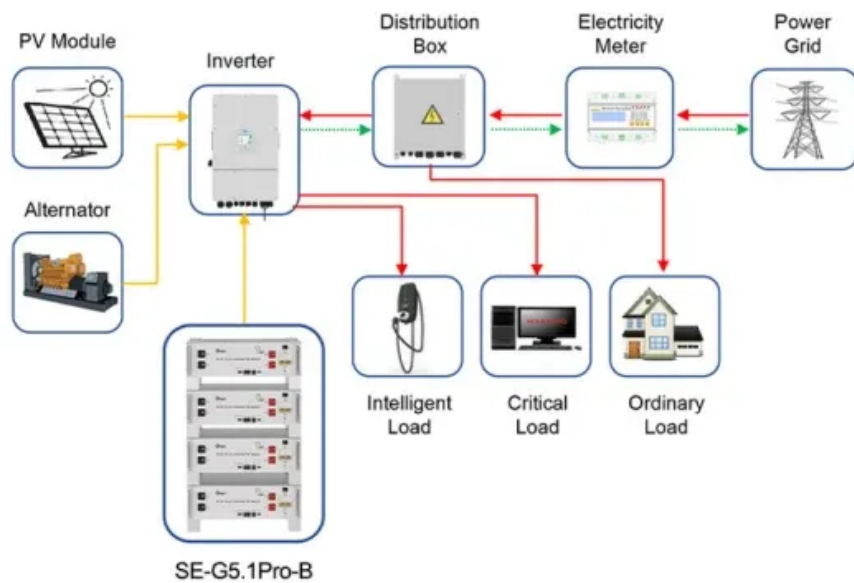


Ouagadougou commercial solar container device manufacturers ranking



Application scenarios of energy storage battery products



Overview

EVE Energy led with a market share of over 30%, followed closely by REPT BATTERO with a near-20% market share. BYD, Ampace, and Great Power ranked third to fifth, with market shares of 7-10%. The top 5 companies shipping the most in 2023 remained CATL, BYD, EVE Energy, REPT. ial stability, manufacturing capacity, and industry repu k, tested data, and reputation scores, was offici andlocked country like Burkina Faso tackles energy instability?

Enter the Ouagadougou energy storage cabin a?

?

. North America leads with 40% market share, driven by streamlined permitting processes and tax incentives that reduce total project costs by 15-25%. Europe follows closely with 32% market share, where standardized container designs have cut installation timelines by 60% compared to traditional.



Ouagadougou commercial solar container device manufacturers ranking



ENERGY STORAGE CONTAINER OUAGADOUGOU SOLAR POWER

Ouagadougou smart solar container power supply enterprise ranking EVE Energy led with a market share of over 30%, followed closely by REPT BATTERO with a near-20% market share. BYD, ...

LIST OF INDUSTRIAL ENERGY STORAGE MANUFACTURERS IN OUAGADOUGOU

These innovations have improved ROI significantly, with commercial projects typically achieving payback in 4-7 years depending on local electricity rates and incentive programs. Recent pricing ...



OUAGADOUGOU OUTDOOR ENERGY STORAGE MANUFACTURERS RANKING

The global solar storage container market is experiencing explosive growth, with demand increasing by over 200% in the past two years. Pre-fabricated containerized solutions now account for ...

LIST OF INDUSTRIAL ENERGY STORAGE MANUFACTURERS IN OUAGADOUGOU

The global solar storage container market is experiencing explosive growth, with demand



increasing by over 200% in the past two years. Pre-fabricated containerized solutions now account for ...



Ranking of commercial solar container companies in ouagadougou

Ranking of commercial solar container companies in ouagadougou The top five manufacturers shipping the most in the first quarter were EVE Energy, REPT BATTERO, BYD, Ampace, and Great Power. ...

Ouagadougou green solar container battery manufacturer

Ouagadougou green solar container battery manufacturer ouagadougou industrial and commercial energy storage product manufacturer Live Green, Love Green, Think Green. Energy storage lithium ...



OUAGADOUGOU CONTAINER ENERGY STORAGE BOX ...

Ouagadougou optical fiber solar container manufacturers ranking EVE Energy led with a market share of over 30%, followed closely by REPT BATTERO with a near-20% market share.





COMMERCIAL ENERGY STORAGE DEVICE IN OUAGADOUGOU

These innovations have improved ROI significantly, with commercial projects typically achieving payback in 4-7 years depending on local electricity rates and incentive programs. Recent pricing ...



OUAGADOUGOU CONTAINER ENERGY STORAGE BOX MANUFACTURERS RANKING

Ouagadougou optical fiber solar container manufacturers ranking EVE Energy led with a market share of over 30%, followed closely by REPT BATTERO with a near-20% market share. BYD, Ampace, and ...

OUAGADOUGOU ENERGY STORAGE CONTAINER RANKING , Solar ...

Composition of container energy storage
Container energy storage is an integrated energy storage solution that encapsulates high-capacity storage batteries into a container. This energy storage ...



LIST OF COMPANIES IN OUAGADOUGOU BURKINA FASO

Ranking of large-scale solar container companies in ouagadougou The top 5 companies shipping the most in 2023 remained CATL, BYD, EVE Energy, REPT BATTERO, and Hithium.



OUAGADOUGOU CONTAINER ENERGY STORAGE BOX MANUFACTURERS RANKING

Ouagadougou outdoor solar container module manufacturers ranking The top five manufacturers shipping the most in the first quarter were EVE Energy, REPT BATTERO, BYD, Ampace, and Great ...

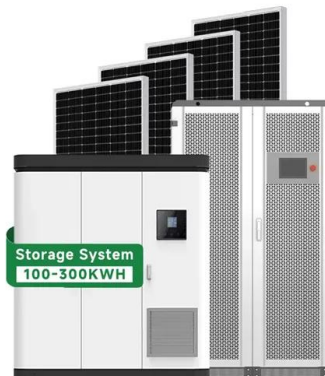


OUAGADOUGOU BURKINA FASO LIST OF COMPANIES

Ranking of large-scale solar container companies in ouagadougou The top 5 companies shipping the most in 2023 remained CATL, BYD, EVE Energy, REPT BATTERO, and Hithium.

OUAGADOUGOU OUTDOOR ENERGY STORAGE MANUFACTURERS RANKING

These innovations have improved ROI significantly, with commercial projects typically achieving payback in 4-7 years depending on local electricity rates and incentive programs. Recent pricing ...



OUAGADOUGOU HOME ENERGY STORAGE COMPANY RANKING

These innovations have improved ROI significantly, with commercial projects typically achieving payback in 4-7 years depending on local electricity rates and incentive programs. Recent pricing ...



Contact Us

For catalog requests, pricing, or partnerships, please visit:
<https://www.goodstays.co.za>