

Qc topics for solar container products





Qc topics for solar container products

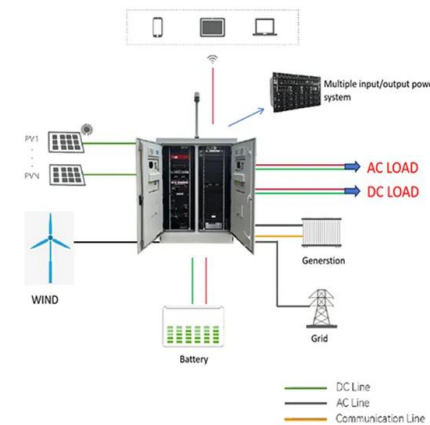


THESE FORUMS NOW CLOSED (read only)

THESE FORUMS NOW CLOSED (read only) - Index 903,581 Posts in 14,676 Topics by 4,770 Members. Latest Member: Rook Latest Post: "THESE FORUMS ARE NOW CLO " (01 Jan ...

Salesforce Service-Cloud-Consultant today updated questions

Released Service-Cloud-Consultant Salesforce Certified Service Cloud Consultant new questions with verified answers by Salesforce guys. These Service-Cloud-Consultant exam questions are updated ...



TOPICAL AND TRANSDERMAL DRUG

...

Description: A qualitative description of the drug product should be provided. The acceptance criteria should include the final acceptable appearance of the finished dos-age form and ...

Home : Occupational Outlook Handbook: : U.S. Bureau of Labor ...

The Occupational Outlook Handbook is the government's premier source of career guidance featuring hundreds of occupations--such as carpenters, teachers, and veterinarians. ...



Q 1 A (R2) Stability Testing of new Drug Substances and Products

The guideline seeks to exemplify the core stability data package for new drug substances and products, but leaves sufficient flexibility to encompass the variety of different practical situations that may be ...

Contact Us

For catalog requests, pricing, or partnerships, please visit:
<https://www.goodstays.co.za>