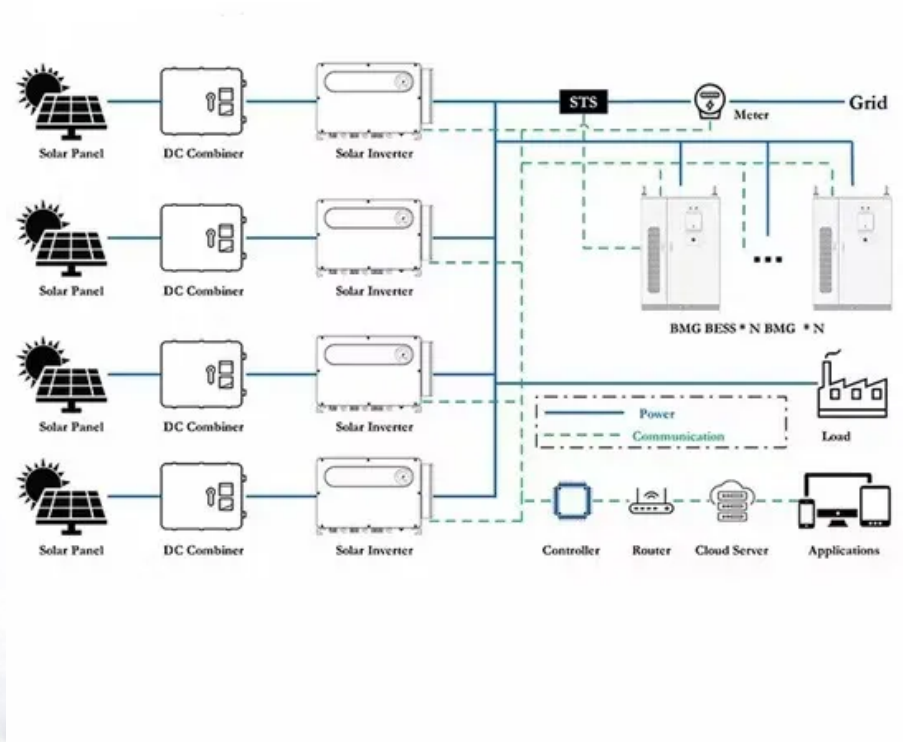


State-owned enterprise robotswana solar container plant is running





Overview

The Botswana Tram Energy Storage Power Station, commissioned last month, tackles this paradox through its 300MWh battery-solar hybrid design. Well, here's the kicker: it's built along a disused tramline, repurposing urban infrastructure for clean energy storage. But when Botswana's solar farms started losing 40% of their generated power due to inadequate storage in 2023, Botswana containerized energy storage equipment became the unexpected hero. These shipping-container-turned-power-banks now serve diverse audiences: But when Botswana's solar farms. We integrate the inverter/chargers, lithium batteries, DC charge controllers, switchgear, ventilation/air-conditioning, fire safety, and remote monitoring. Scatec Begins Commercial Operations at Botswana's Scatec ASA, a leading renewable energy provider, has successfully launched commercial operations for the first 60 MW of its 120 MW Scatec starts commercial operation of solar power plant "Moving from development to construction and now to. Pre-fabricated containerized solutions now account for approximately 35% of all new utility-scale storage deployments worldwide.



State-owned enterprise robotswana solar container plant is running



ROBOTSWANA ENERGY STORAGE INDUSTRY ENTERPRISES

The global solar storage container market is experiencing explosive growth, with demand increasing by over 200% in the past two years. Pre-fabricated containerized solutions now account for ...

Botswana power cuts and solar container

Will a 100 MW solar plant be built in Botswana? State-owned Botswana Power Corp. has signed a power purchase agreement with a consortium of Chinese enterprises and other companies to ...



Botswana awards Norway's Scatec first large-scale solar plant contract

The plant will be located near the mining town of Selebi-Phikwe, 400 kilometres east of capital Gaborone. Botswana currently does not have any large-scale solar power generation and its ...



ROBOTSWANA ENERGY STORAGE NEW MATERIALS COMPANY

The global solar storage container market is experiencing explosive growth, with demand increasing by over 200% in the past two years. Pre-fabricated containerized solutions now



account for ...

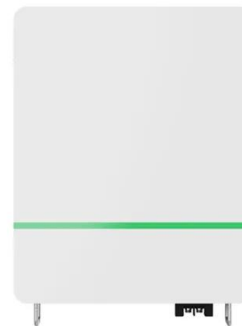


Botswana Containerized Energy Storage Equipment: Powering ...

But when Botswana's solar farms started losing 40% of their generated power due to inadequate storage in 2023, Botswana containerized energy storage equipment became the ...

Botswana Containerized Energy Storage Equipment: Powering ...

Let's face it--energy storage isn't exactly the life of the party. But when Botswana's solar farms started losing 40% of their generated power due to inadequate storage in 2023, Botswana ...



Botswana external solar container basseter

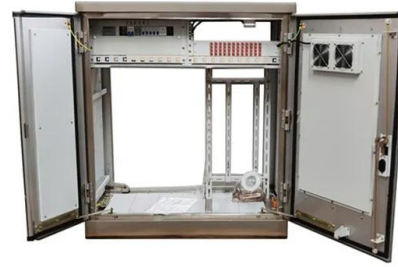
As the photovoltaic (PV) industry continues to evolve, advancements in Botswana external solar container basseter have become critical to optimizing the utilization of renewable energy sources.





Botswana solar container module factory operation

As the photovoltaic (PV) industry continues to evolve, advancements in Botswana solar container module factory operation have become critical to optimizing the utilization of renewable energy sources.



Botswana energy storage power enterprise

In November, government-owned Kenya Electricity Generating Company (KenGen) was selected to deploy an energy storage pilot project in that country by the World Bank, while a few days ago ...

Botswana solar energy storage grounding

“Once fully operational by 2027, this facility will deliver 3,500 megawatts peak of solar power to the Luzon grid, with 4,500 megawatt-hour battery energy storage,” Marcos said.



INTEGRATED DESIGN

EASY TO TRANSPORT AND INSTALL,
FLEXIBLE DEPLOYMENT



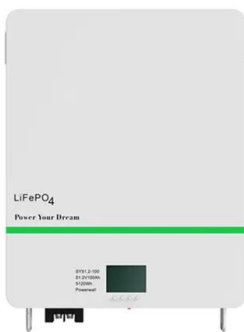
ROBOTSWANA ENERGY STORAGE POWER ENTERPRISE

The global solar storage container market is experiencing explosive growth, with demand increasing by over 200% in the past two years. Pre-fabricated containerized solutions now account for ...



ENERGY STORAGE IN BOTSWANA POWERING THE FUTURE UNDER THE

The global solar storage container market is experiencing explosive growth, with demand increasing by over 200% in the past two years. Pre-fabricated containerized solutions now account for ...



The largest solar container company in botswana

State-owned Botswana Power Corp. has signed a power purchase agreement with a consortium of Chinese enterprises and other companies to construct a 100 MW solar plant in

Botswana extraordinary solar container power

Will a 100 MW solar plant be built in Botswana? State-owned Botswana Power Corp. has signed a power purchase agreement with a consortium of Chinese enterprises and other companies to ...



Botswana new solar container power station subsidy

State-owned Botswana Power Corp. has signed a power purchase agreement with a consortium of Chinese enterprises and other companies to construct a 100 MW solar plant in southern Botswana. ...





Botswana New Energy Storage Module Company: Powering ...

Botswana's solar potential could light up half of Africa, but there's a catch - how do you store all that golden sunshine for cloudy days? Enter Botswana New Energy Storage Module ...



ROBOTSWANA ENERGY STORAGE PROJECT INFORMATION

Emerging markets in Africa and Latin America are adopting mobile container solutions for rapid electrification, with typical payback periods of 3-5 years. Major projects now deploy clusters of 20+ ...

Botswana energy storage project leads , Solar Power Solutions

Solar Century Africa Limited and Energy & National Resource Corporation (Botswana) announce a strategic partnership to develop a groundbreaking 100 MW solar project near Palapye, Botswana.



ROBOTSWANA ENERGY STORAGE PROJECT CONSTRUCTION

China energy construction power storage zambia project The project, built by the Chinese state-run energy giant PowerChina and financed by Zambia's national utility ZESCO, is designed to stabilize ...



Botswana road solar container power station

The Botswana Tram Energy Storage Power Station, commissioned last month, tackles this paradox through its 300MWh battery-solar hybrid design. Well, here's the kicker: it's built along a disused ...



12.8V 200Ah



Botswana Photovoltaic Container Factory

Botswana signs contract for 100 MW solar plant
State-owned Botswana Power Corp. has signed a power purchase agreement with a consortium of Chinese enterprises and other companies to ...

Botswana energy storage container production

Botswana is set to transform its energy landscape with a \$78M solar plant in Jwaneng. Discover how this project will drive sustainability, create jobs, and shape the future of clean energy. the ...



What are the large-scale solar container projects in Botswana

Will a 100 MW solar plant be built in Botswana?
State-owned Botswana Power Corp. has signed a power purchase agreement with a consortium of Chinese enterprises and other companies to ...



Contact Us

For catalog requests, pricing, or partnerships, please visit:
<https://www.goodstays.co.za>